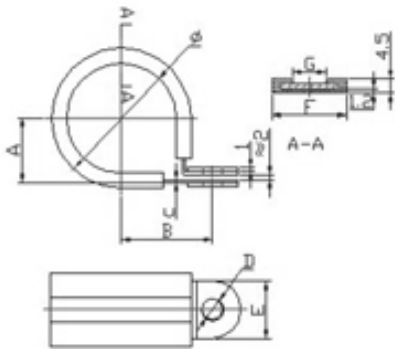


Our high quality Rubber Lined P-Clips are black and come packed in 50's. They provide a secure fixing for pipes and cables, the rubber lining around the clip protects against wear and damage.

Product Drawing



Colours Available:

■ Black

C Tie Part No	Size mm	A	B	C	D	E	F	G	Pack
CRLPC1	Ø 5	3.5mm	13mm	0.8mm	6.6mm	12mm	15mm	7mm	50
CRLPC2	Ø 6	4.5mm	15mm	0.8mm	6.6mm	12mm	15mm	7mm	50
CRLPC3	Ø 8	5.5mm	16mm	0.8mm	6.6mm	12mm	15mm	7mm	50
CRLPC4	Ø 10	6.5mm	18mm	0.8mm	6.6mm	12mm	15mm	7mm	50
CRLPC5	Ø 13	8mm	19mm	0.8mm	6.6mm	12mm	15mm	7mm	50
CRLPC6	Ø 16	9.5mm	20mm	0.8mm	6.6mm	12mm	15mm	7mm	50
CRLPC65	Ø 19	11mm	21mm	0.8mm	6.6mm	12mm	15mm	7mm	50
CRLPC7	Ø 21	12mm	22mm	0.8mm	6.6mm	12mm	15mm	7mm	50
CRLPC8	Ø 25	15mm	24mm	0.8mm	6.6mm	12mm	15mm	7mm	50
CRLPC9	Ø 29	16mm	26mm	0.8mm	6.6mm	12mm	15mm	7mm	50

Material Specification:

- Material Clip: Zinc Plated Mild Steel
- Material Rubber Lining: EPDM Rubber
- Working Temperature: -40°C to +60°C

C TIE
 Unit 5, Axiom Business Park,
 41 Balcombe Road, Horley, Surrey, RH6 7HF
 Tel: 01737 760645 Fax: 01737 760946
 E-mail: sales@ctie.co.uk

All Specifications are Subject to change